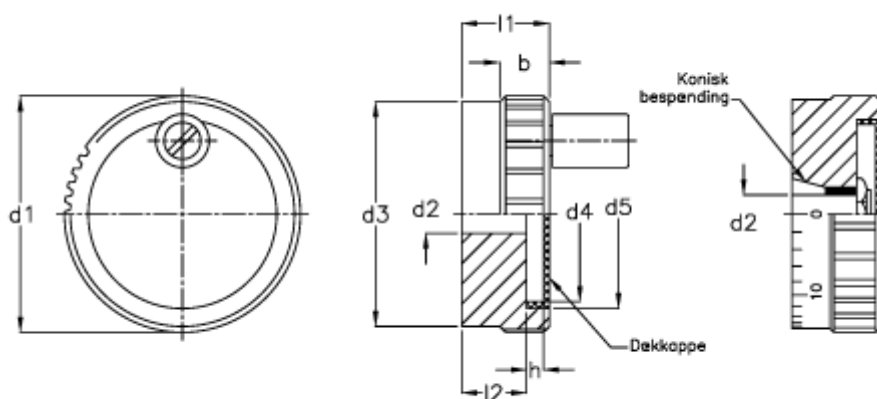


Article number: 20884239A  
 Description: E+G Control knob  
 GN 736.1-62-B10-A

## Measures



b -0.5	= 13	h	= 3.8
d1	= 62	Handle	= 14
d2 H8 with bush	= Z 10	l1	= 23
d2 H8 without slot	= B 10	l2	= 17
d2 H8 with slot	= K 10		
d3	= 60		
d4	= 47		
d5	= 49.5		